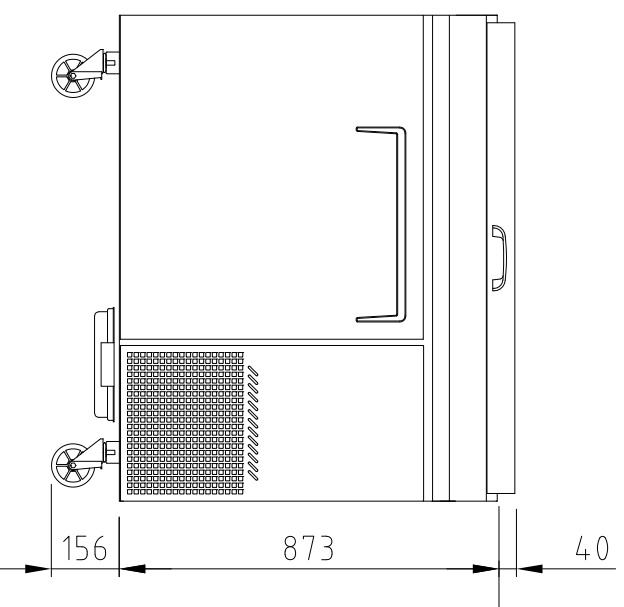
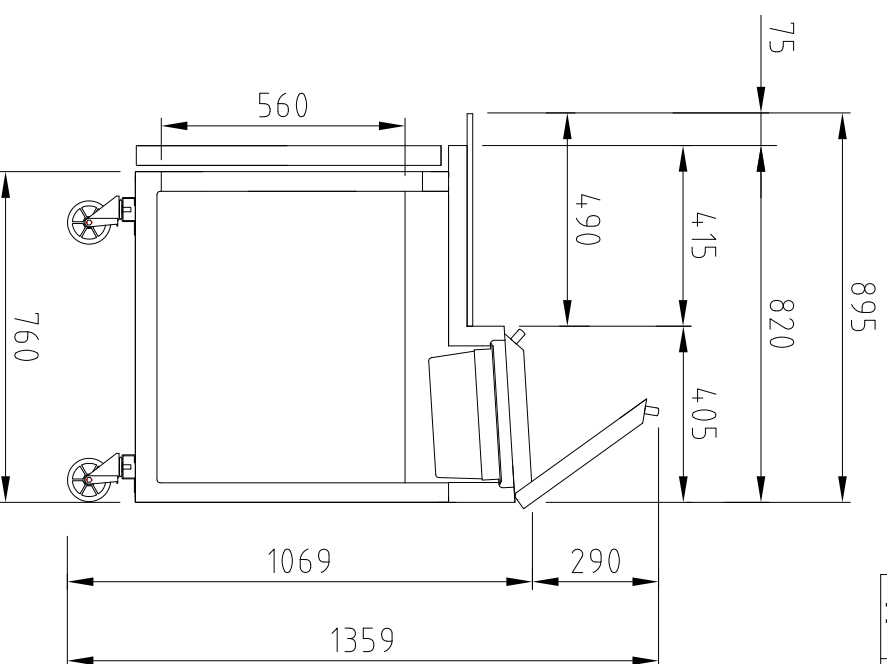
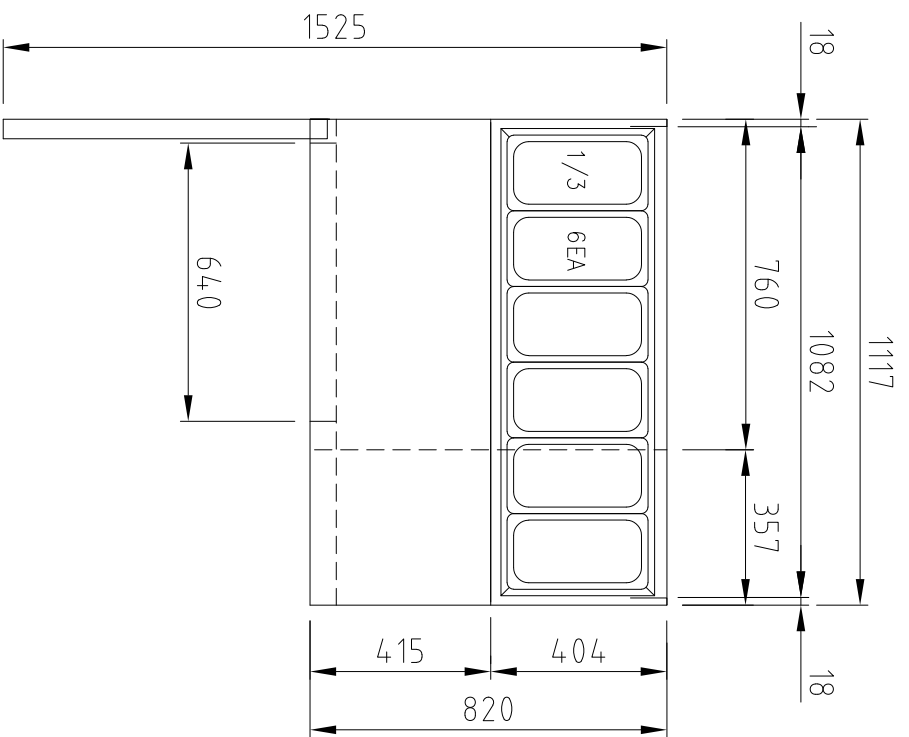


1	Classification	(Refrigerator)
2	Cabinet Dimensions	1117×820×1069
3	Capacity(Liters)	396
4	Inner Temperature	1°C~8°C
5	Doors	1
6	#of shelves	2
7	#of pans	6
8	#of hood	1
9	Refrigerant	R-134a
10	Compressor(HP)	1/3
11	Cooling Type	(Fan cooling type)
12	control type	(Thermostat)
13	Insulation Type	(Polyurethane)Cyclopentane + CFC Free
14	Amps(A)	3.2
15	Voltage(V/Hz/Ph)	220/50/1
16	Power(w)	366
17	Weight(kg)	140



Series	Model	Model Name	DATE	CODE NO	SCALE
M	CTPR-44SD	1 Door Pizza Table Refrigerator	14.01.01	TUCCQ-154	1/1
					UNIT
					mm